

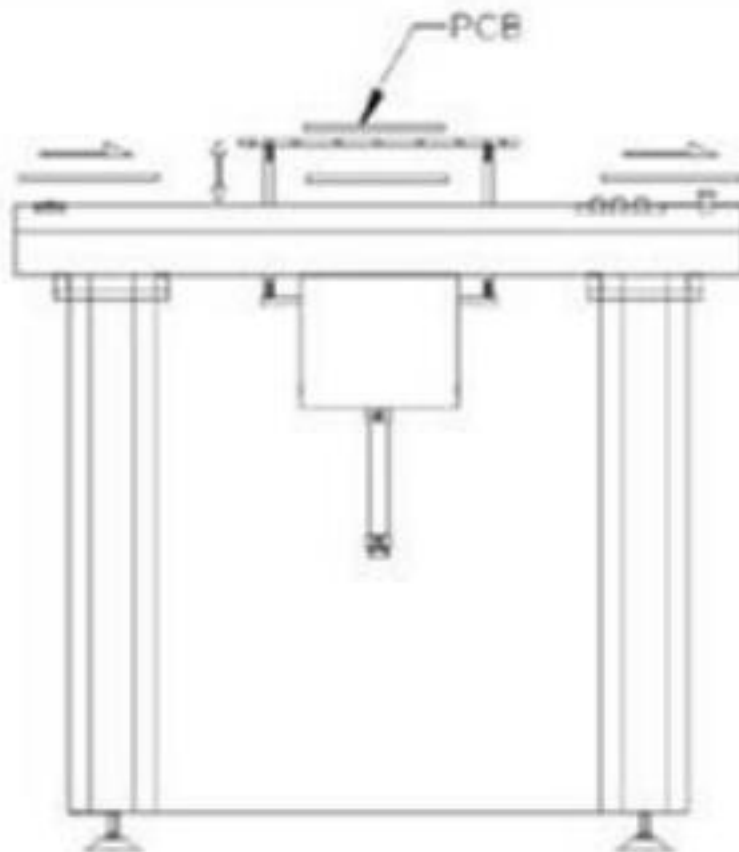


Shenzhen Southern Machinery Sales and Service Co.,Ltd

Add :Rm 1806,Block 3, Jinyun COFCO, Qianjin 2 Road,Xixiang,Baoan District, Shenzhen City, China
TEL: 0755-83203237; FAX:0755-23240492 website:www.smthelp.com

rail conveyor

User's Manual



Please read the instructions carefully before user operation

Preface

First of all, we sincerely thank you for choosing the SMT peripheral automation equipment produced by our company. This company specialized production: conveyor, automatic feeding detection machine, vacuum suction machine, stacked on the machine, parallel transfer, angle conveyor, turning machine, machine, double buffer for the same reflow furnace system, a series of automated production equipment. According to the customer's requirements, we can develop and design a series of automation equipment, in order to meet the customer's high efficiency, energy saving, downsizing and other production needs. This manual describes the use of methods and equipment maintenance and precautions, in front of the machine, please carefully read this manual, and it will be properly preserved, wrong operation may cause the device does not operate normally or damaged parts. Due to man-made equipment failure or parts damage, will not apply to the company's exemption free warranty service range. Without permission of the company, please do not disassemble or replace the equipment parts, nor applicable to the company's free warranty warranty service range. As to the improvement and partial renewal of the product, we will not make further instructions. If you have any doubts, please contact our company for consultation.

一、 Equipment technical parameters

(一) Equipment type: S-460C (0.5m)

Description: This equipment is used in SMD production line or PCB panel assembly line as operator test bench

Circuit board size (mm) : 50*50~460*460

Working height(mm): 900±20(std)

transmission speed: 0.5—12meters per minute or customer specified

Power Supply: 100V, 230V (Single-phase alternating current)

Machine outline size(mm): 500(L)*776(W) *1800 (H)

weight(KG): 75

power: Maximum 100 volt ampere

Conveyor type: 4mm Antistatic flat belt

Conveying direction: Left to right or right to left

LED light : hasn't

(二) Equipment type: S-460D (1m)

Description: This equipment is used in SMD production line or PCB panel assembly line as operator test bench

Circuit board size (mm) : 50*50~460*460

Working height(mm): 900±20(std)

transmission speed: 0.5 – 12 meters per minute or customer specified

Power Supply: 100V, 230V (Single-phase alternating current)

Machine outline size(mm): 1000(L)*776 (W) *1800 (H)

weight(KG): 85

power: Maximum 100 volt ampere

Conveyor type: 4mm Antistatic flat belt

Conveying direction: Left to right or right to left

LED light :have

二、 Operating instructions for control panel

1、 POWER switch:

Control the power supply of the whole machine. When the indicator light is on, the power is connected.

2、 The Normal/Bypass button is (manual and automatic switching):

The Bypass state is automatic, and the PCB board is stopped on the rear inductor to receive the output plate

When the signal is down, the output board, the Normal is manual, and the PCB board stops at the detection inductor

When the inspection is finished, the PASS switch is pressed and the output board is received when the board signal is received.

3、 SPEED knob:

Speed adjustment of conveyor belt speed (L means slow, H express fast)

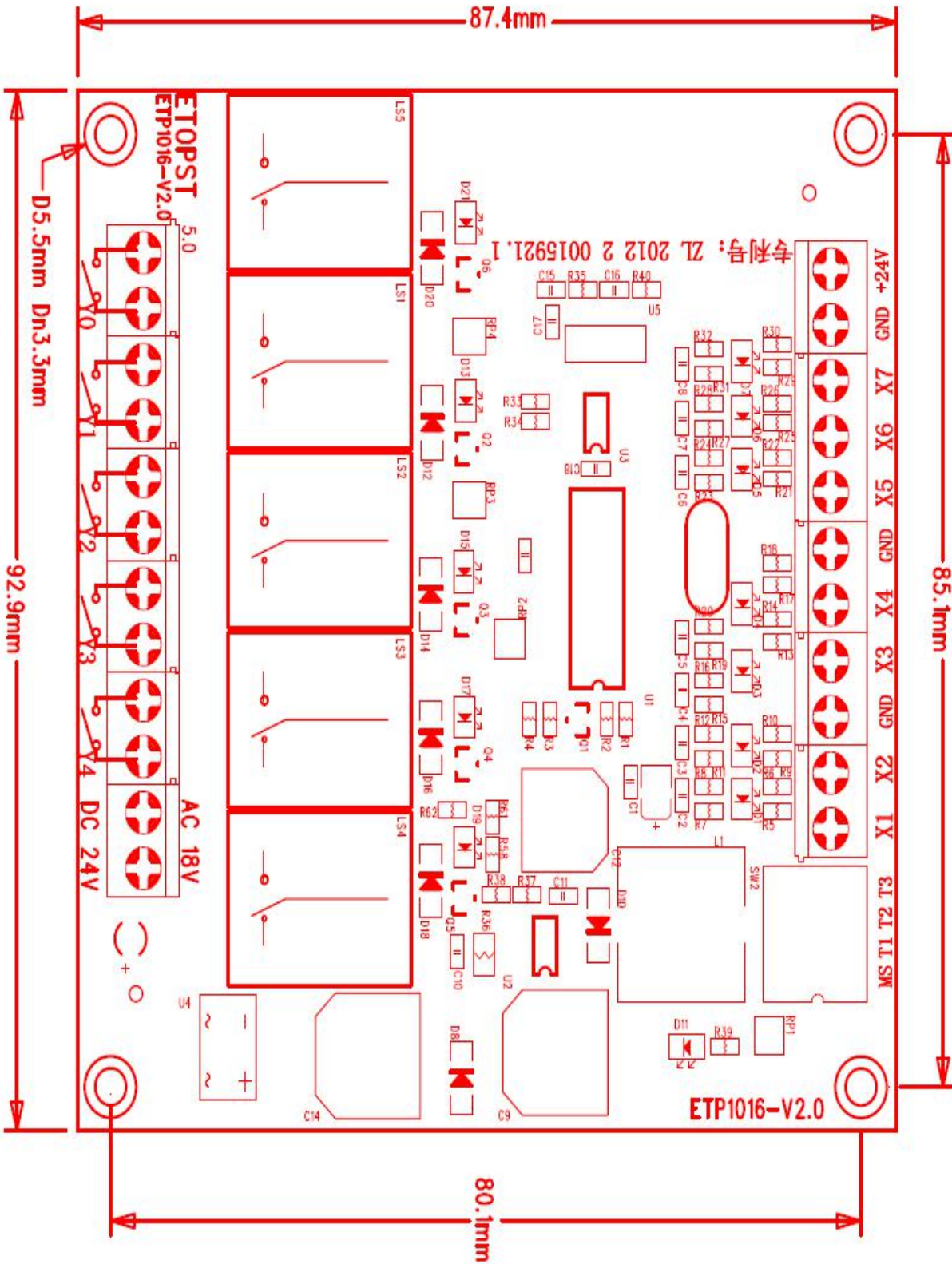
4、 PASS Button:

When the machine is Normal state, after PCB detection, press this switch release.

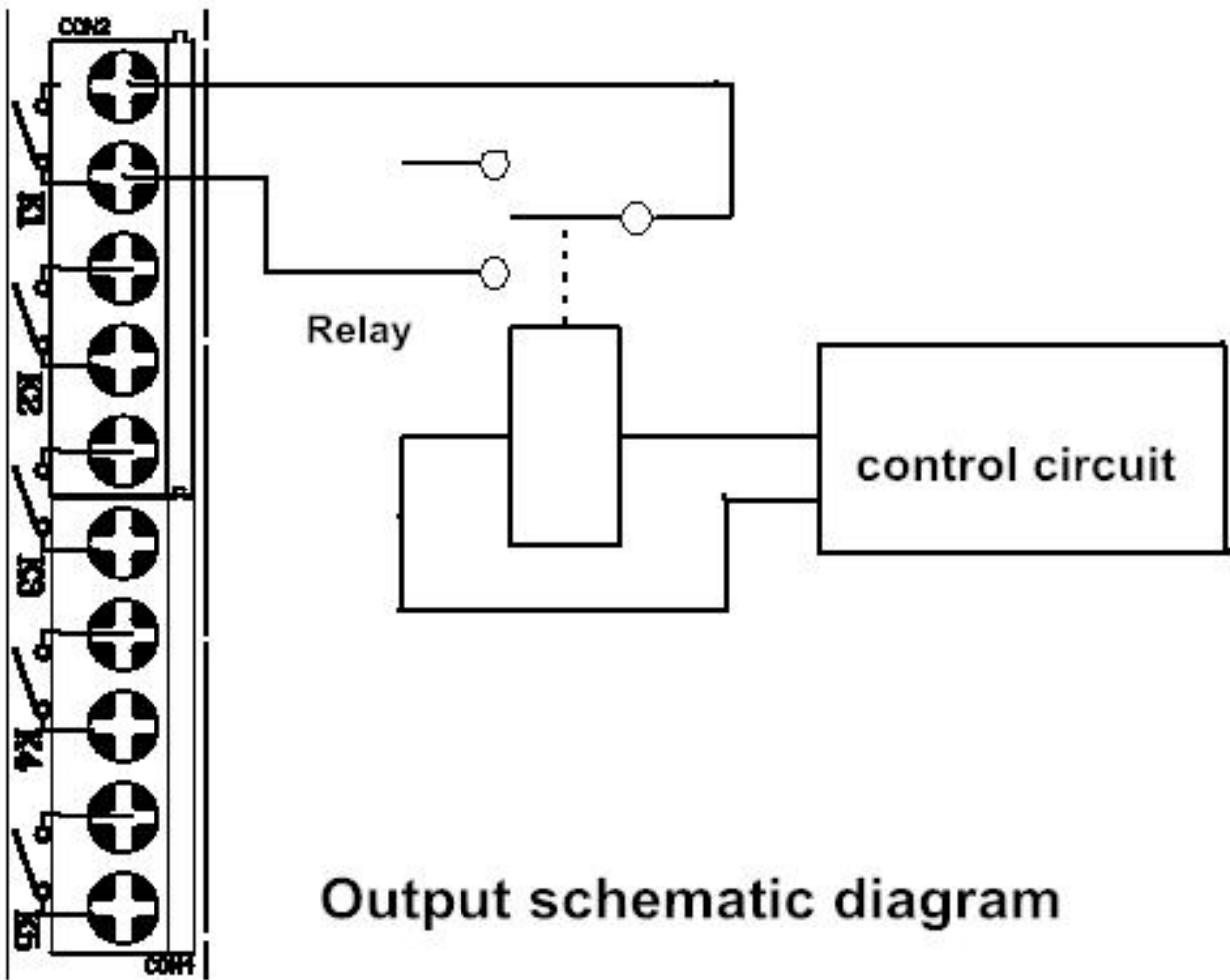
三、 Instructions for operation

- 1、 pay attention to equipment supply power is AC220V/50HZ. with leakage protection switch.
- 2、 PCB plate width is adjusted to the appropriate, you can use rocker (or hand push) to adjust the track to the appropriate width.
- 3、 when the power indicator is on, the POWER button light indicates that the device has started.
- 4、 note: start the track can not have PCB board.
- 5、 note: if the equipment needs to stop urgently, the POWER button should be closed to stop work.

四、The circuit principle diagram



五、 Output schematic diagram



Output schematic diagram

六、 Signal line specification

1、 Front signal:

The yellow line (Y2) and the black line (CM2) are the signals of the confidential Board. Red (X1) and blue (GND) are the signals on the board of the host computer. .

2、 Post signal;

Yellow (Y3), black (COM3), to the lower machine has a board signal. Red (X2), blue (GND) is the machine has board number

Note: the red line is positive, and the blue line is negative.

Yellow line and black line group, output to no voltage switch signal

七、 Matters needing attention

1. Adjust the machine cup foot to the equipment track level before use.
2. Check whether the power supply is consistent with the specification of the transmission machine before startup (single phase AC220V/50HZ).
3. If the power supply is unstable, the power regulator must be installed.
- 4, the machine must be safe grounding, ground wire must be well fixed in the fuselage part.
- 5, in order to ensure the normal operation of the machine, do not download or change the screen program.
- 6, the machine does not use for a long time, should cut off the power supply, and do a good job of dustproof measures.
- 7, do not put the mechanical installation to dust, oil dirt, conductive powder, corrosive gases, flammable gases, moisture, shock, high temperature and outdoor environment.